



E130 MKII

Esoteric Audio Devices Sweden AB



Bass brings the music to life. It's the body and soul of the song.

The E130 will bring you deep tones in a clean and dynamic fashion. It's capable of delivering sub 30Hz in a system, but at the same time it's a wide band unit taking you all the way to 19Khz, which makes it easy crossing over to a smaller unit like the E60 or E100, where you find it suitable, in a 2-way system.

The E130 gives you plenty of options with its dual coils too. Besides giving you the option of 8, 16 or 32 Ohm, you can also short the second coil with a resistor to vary the Q between approximately 0.4 to 0.8 or do even more advanced circuits involving the second coil.

A lot of information on the subject can be found on Internet.

Moving plenty of air is very important in order to produce a

solid bass and using multiple drivers is one way to achieve this.

Perhaps the most practical advantage with a dual voice coil, is the wiring possibilities of multiple units, e.g. connecting 8x32 ohm units in parallel, for a tall line array, gives you a total of 4 ohm with simple wiring.

The E130 works well in both closed and vented designs. All this flexibility is found in a single driver.

The E130 MKII comes with a new basket, other than that, it's a straight fit to the earlier E130. Please see dimensions on the next page.

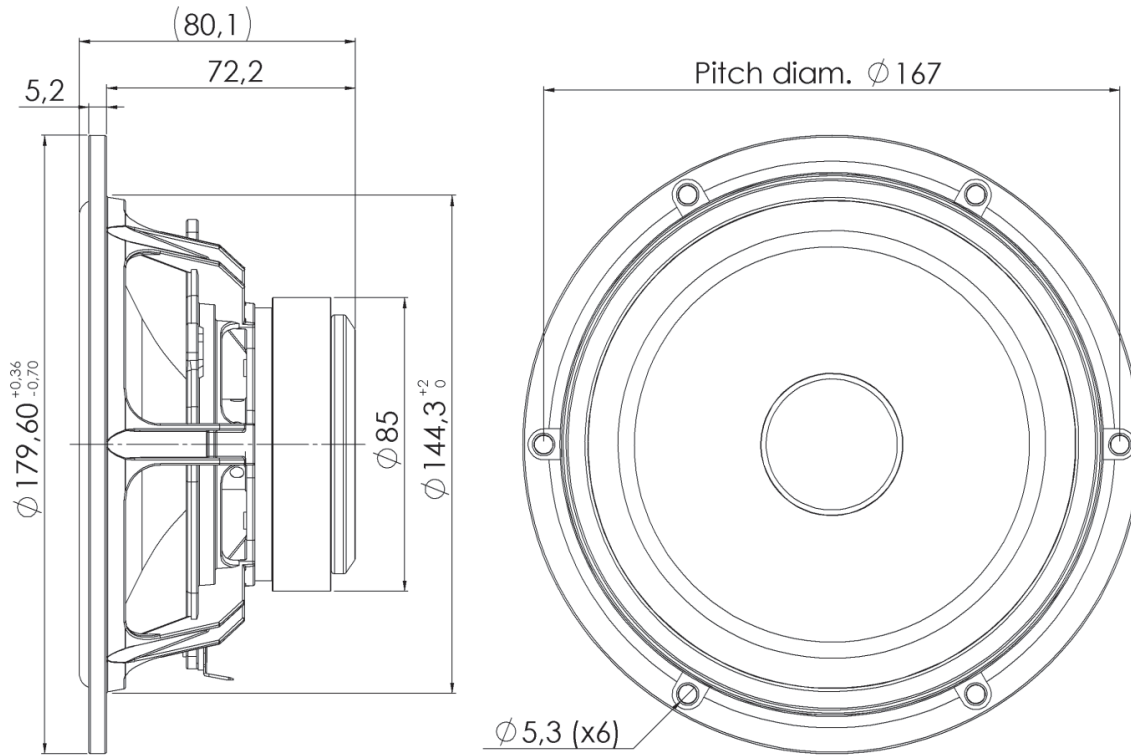
All EAD units do exceptionally well with live acoustic music, like Jazz or blues and voices are very clear and present in the listening room.



E130 MKII

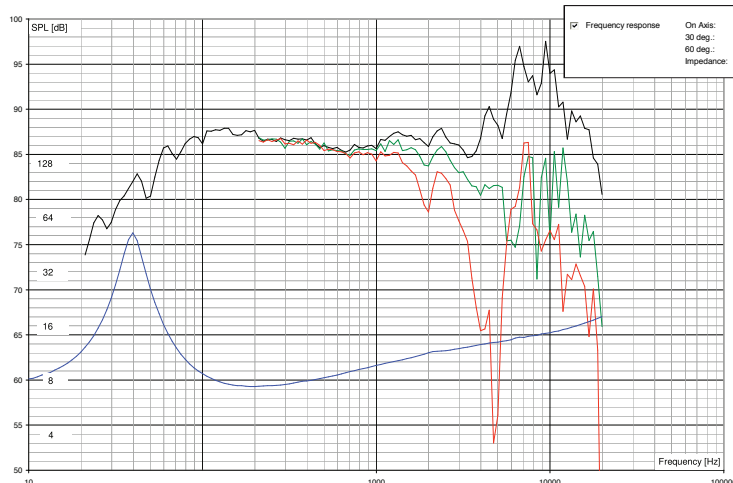
Esoteric Audio Devices Sweden AB

Technical specifications



Note, since we now use a new factory and measuring conditions, the measures are updated. We also recommend pairing drivers from the same factory. Please see our web site for replacement and upgrade policys. Measuring conditions: Factory new driver, "broken in" 30 min. Half space free-field (2 pi) above 100 Hz. Anechoic room 6x7x8 meters. IEC specs. refer to IEC 60268-5 third edition. All EAD products are RoHS compliant. Sensitivity/2.83V/1m/ 300-1000Hz.

Note, parameters and curves are based on 10 units, where we picked the one closest to the average. More info may come later as this brochure is subject to change.



| Tech. specifications (16&32 Ω estimated) | | 8 | 16 | 32 |
|--|------------------------|--------|------|------|
| Free air resonance F _s | Hz | 37.4 | 37.4 | 37.4 |
| Mechanical Q | Q _m | 3.75 | | |
| Electrical Q | Q _e | 0.47 | | |
| Total Q | Q _t | 0.42 | 0.78 | 0.42 |
| Force factor | B1 | 6.50 | | |
| Resistance DC | Re ohms | 6.63 | 12.7 | 25.5 |
| Dynamic mass | M _d grams | 13.0 | 13.0 | 13.0 |
| Equiv air volume | V _{as} litre | 37.7 | 37.7 | 37.7 |
| Cone area | S _d sq. cms | 139 | 139 | 139 |
| SPL (0.3-1KHz), 2.83V | 1m 1w | 86 | 80 | 80 |
| Ch | uF | 304.5 | | |
| Le | mH | 0.83 | | |
| Lh | mH | 59.4 | | |
| Rh | Ohm | 52.4 | | |
| Power handling 100h | watts RMS | TBA | | |
| Power handling Long term | watts RMS | TBA | | |
| X _{max} lin (WW-TP)/2 | m.m. | | | |
| X _{max} lin (WW-TP)/2+(25%×xTP) | m.m. | TBA | | |
| X _{mech} | m.m. | +/- | | |
| Freq. range, free air | Hz | 37-19K | | |
| Weight | gr | TBA | | |

